

(*) +5 V output not connected for USB422 – NA version

S5 – MODE

- 1 RS422
- 2 RS485

S3 - B & Z CONFIGURATION

- 5 - B & Z DISCONNECTED, NO RX TERMINATOR
- 7 - B & Z CONNECTED

S4 - A & Y CONFIGURATION

- 8 - A & Y DISCONNECTED, NO TX TERMINATOR
- 9 - A & Y DISCONNECTED, TX TERMINATOR
- 10 - A & Y CONNECTED, NO TX TERMINATOR
- 11 - A & Y CONNECTED, TX TERMINATOR

EXAMPLES: 1,5,9 – RS422, TERMINATORS ON BOTH SIDES
 2,7,11 - RS485 WITH TERMINATOR

Figure 4.1. USB422 Configuration

RS422

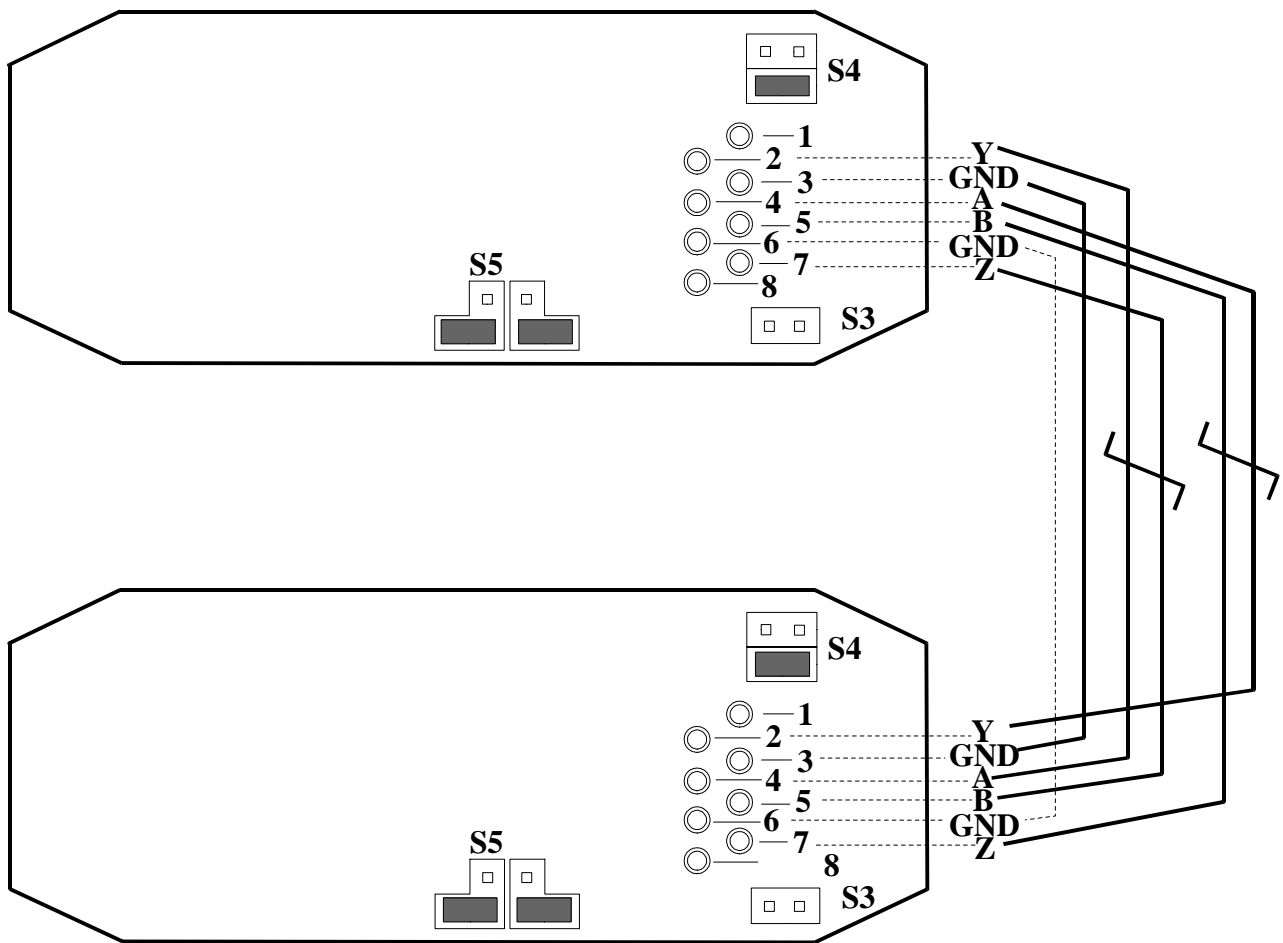


Figure 4.2. RS422 connection example

RS485

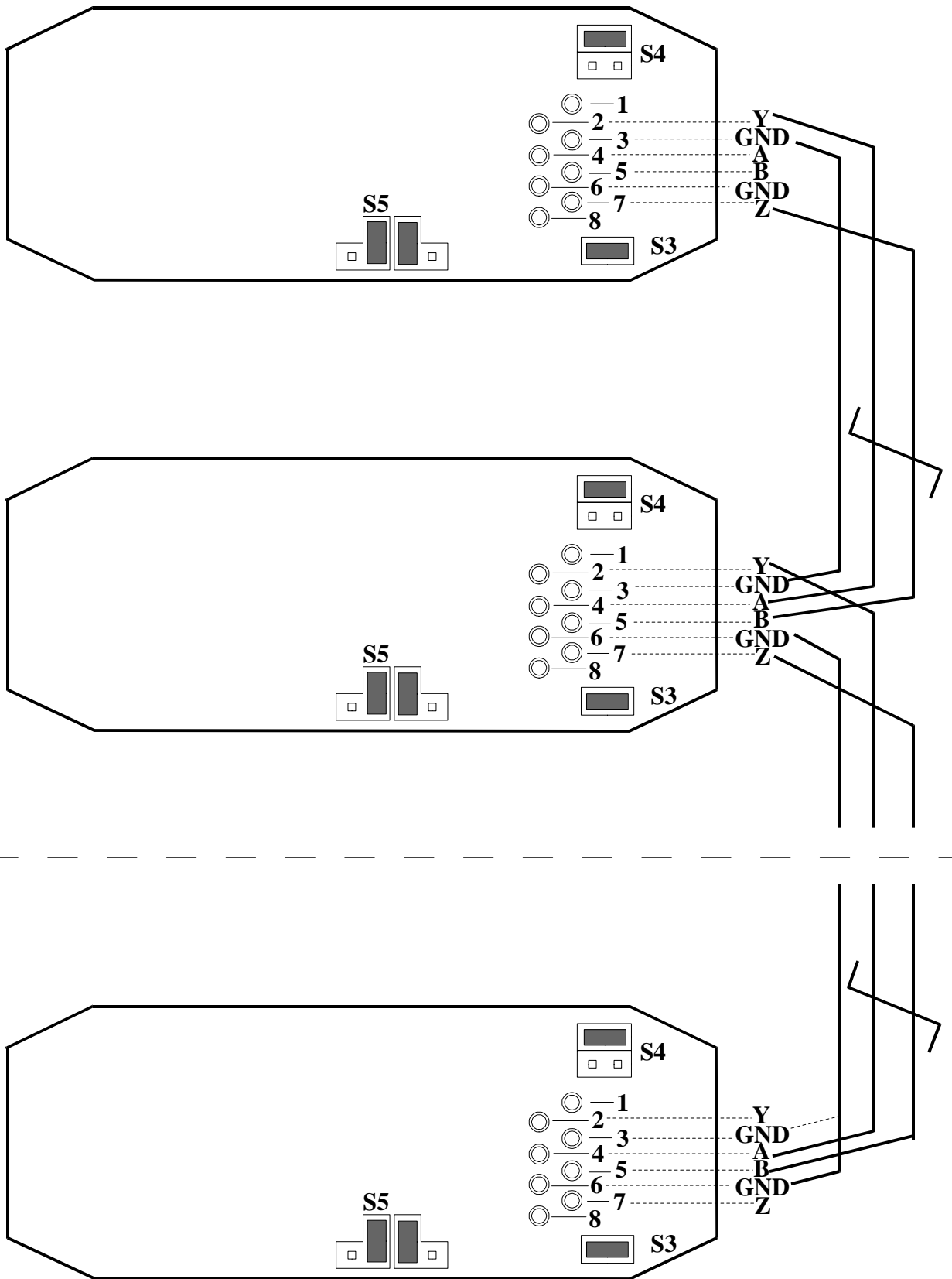


Figure 4.2. RS485 connection example